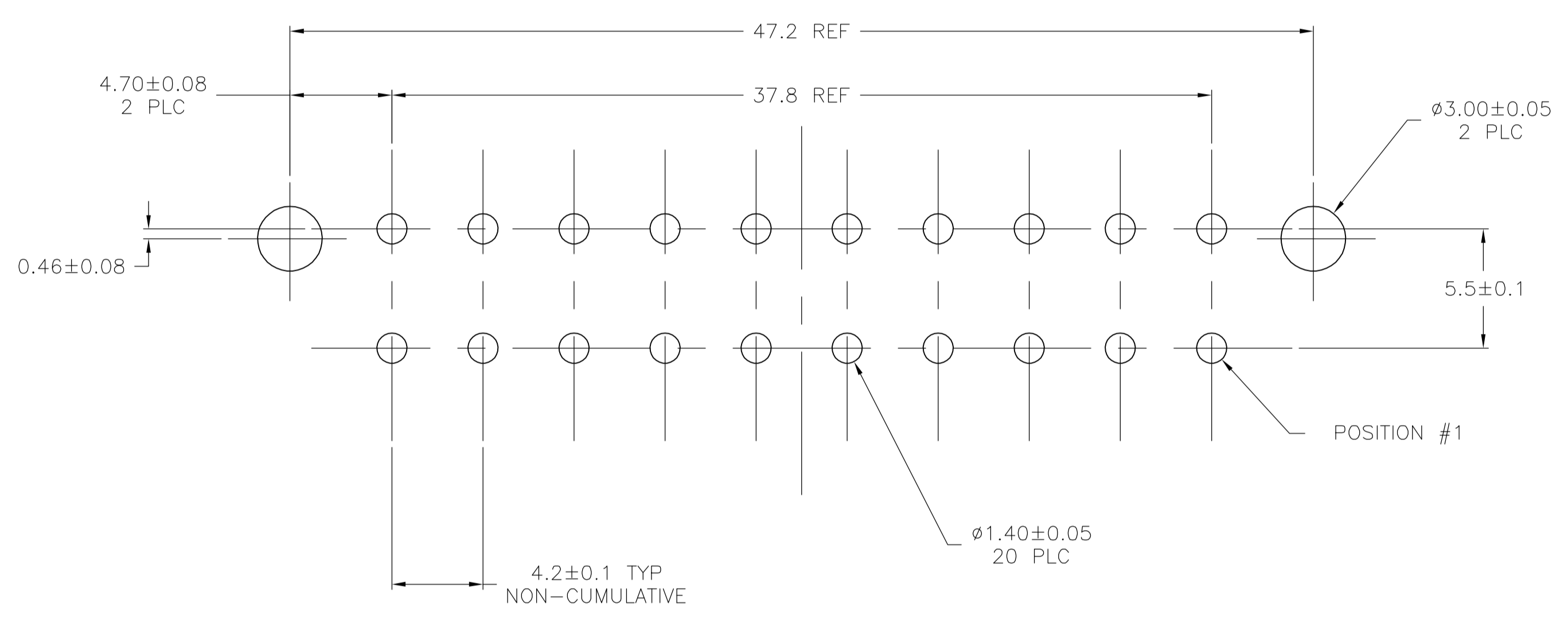
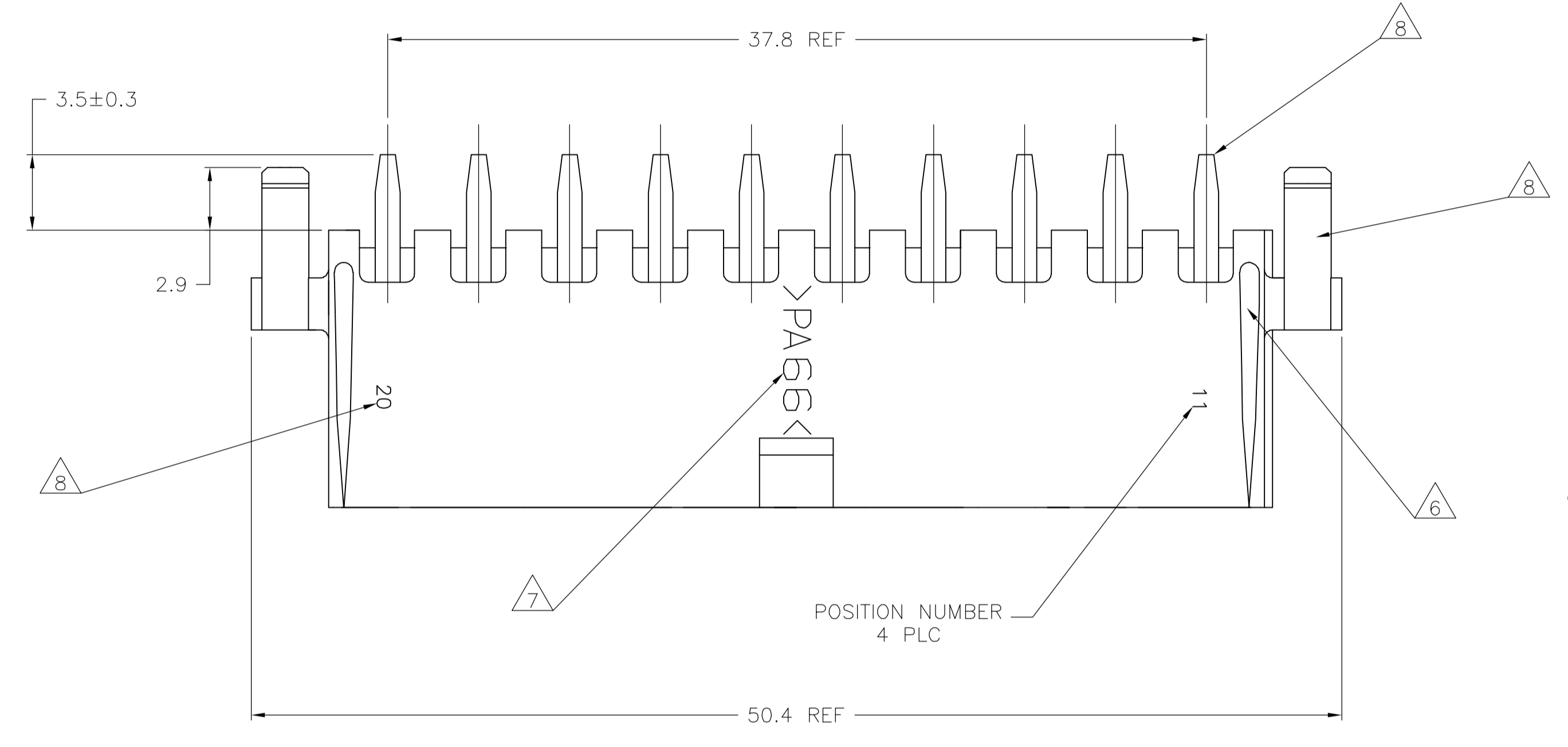
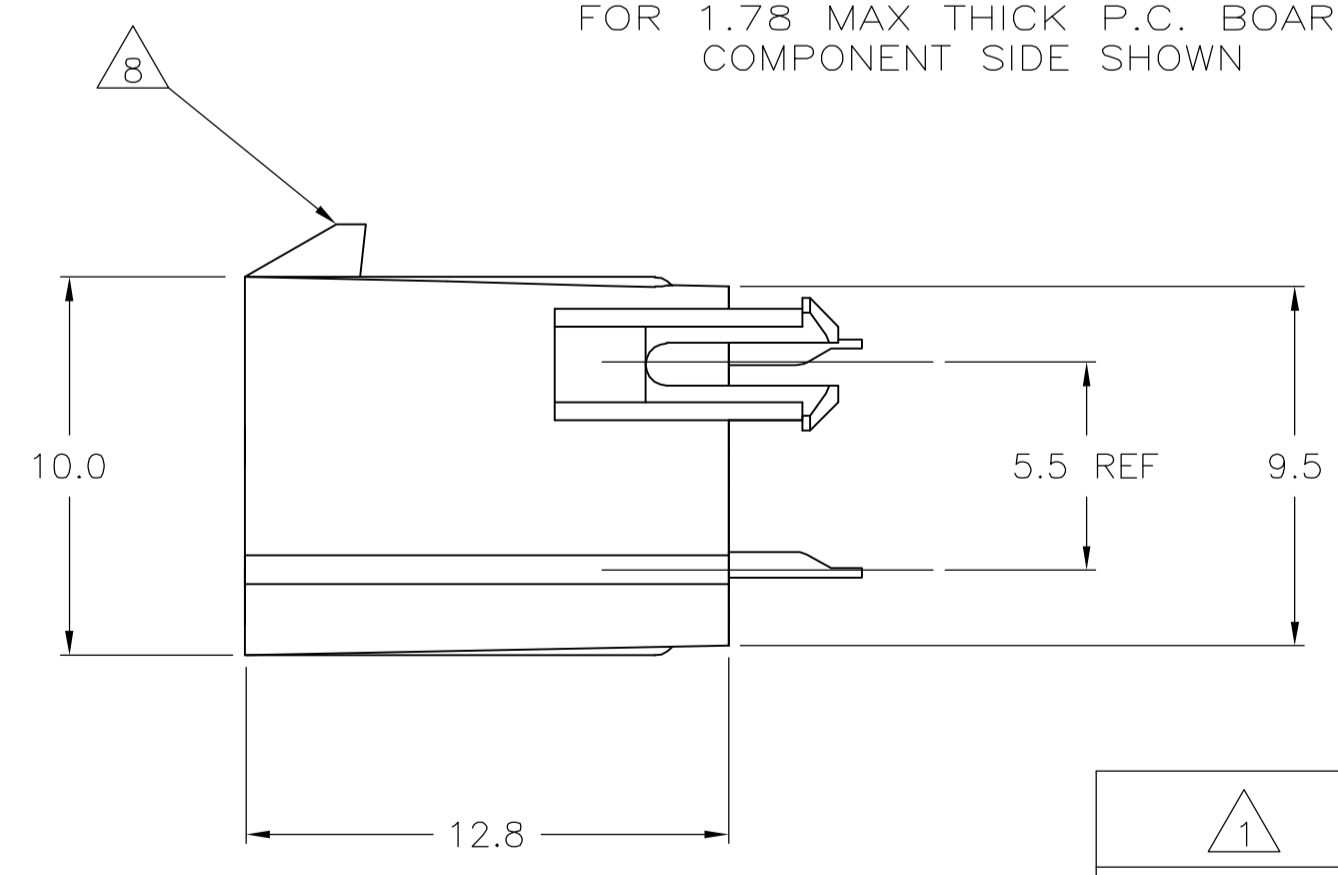
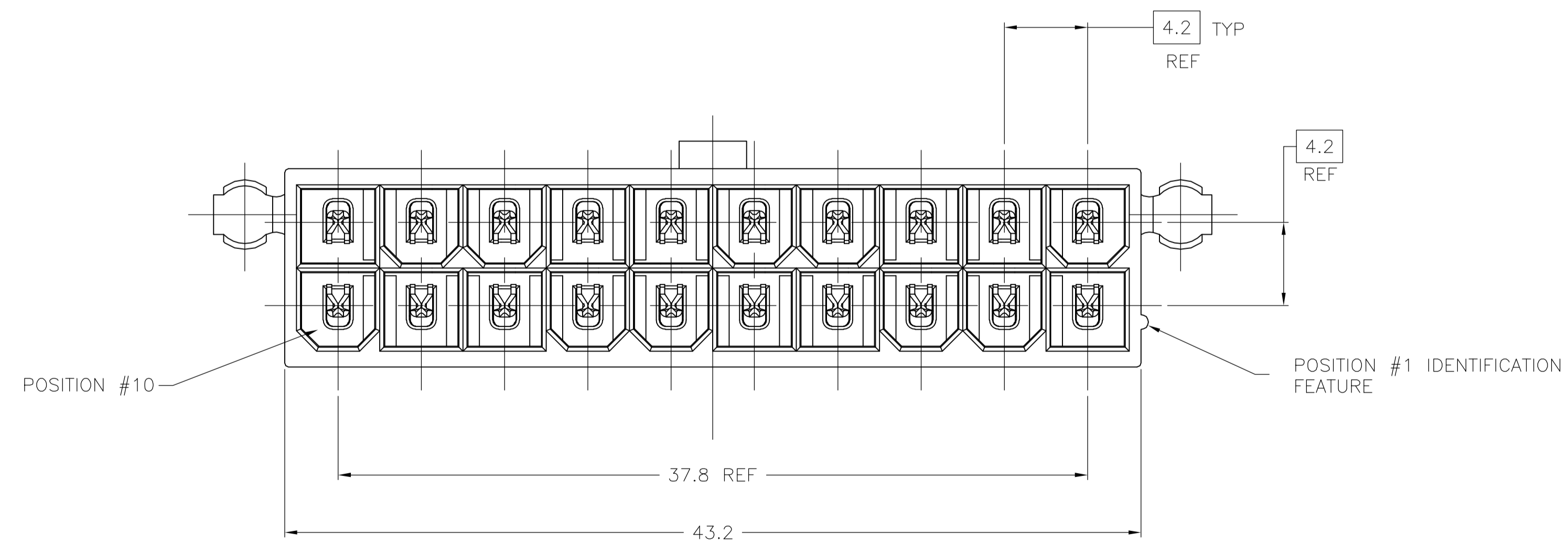


LOC		DIST		REVISIONS			
CM	O	P	LTR	DESCRIPTION	DATE	DWN	APVD
J				ECO-06-013158	29JUN06	BSV	DC

- 1 MATERIAL:
HOUSING: NYLON, UL94V-2 (COLOR - NATURAL, COLOR OF PARTS MAY VARY).
CONTACTS: 0.25 THK COPPER ALLOY.
- 2 CONTACT FINISH: 0.003 MIN THK TIN-LEAD OVER 0.00127 MIN THK NICKEL OVER ENTIRE CONTACT.
- 3 CONTACT FINISH: 0.00076 MIN THK GOLD PLATE ON PIN MATING SURFACE, 0.003 MIN THK TIN-LEAD PLATE ON SOLDER TAIL, ALL OVER 0.00127 MIN THK NICKEL BASE PLATE.
- 4 SOLDER TAIL MEETS AMP SOLDERABILITY SPECIFICATION 109-11-2.
- 5 MATES WITH SIMILARLY PLATED AMP-DUAC™ POWER CONNECTOR RECEPTACLE HOUSINGS/SOCKET CONTACTS.
- 6 RIBS ON FOUR CORNERS OPTIONAL.
- 7 AMP LOGO AND MATERIAL ID MAY BE LOCATED ON EITHER LONG SIDE OF PART.
- 8 SIZE, SHAPE OR STYLE OF THIS FEATURE MAY VARY.
- 9 CONTACT FINISH: 0.003 MIN THK TIN OVER 0.00127 MIN THK NICKEL OVER ENTIRE CONTACT.
- 10 CONTACT FINISH: 0.00076 MIN THK GOLD PLATE ON PIN MATING SURFACE, 0.003 MIN THK TIN PLATE ON SOLDER TAIL, ALL OVER 0.00127 MIN THK NICKEL BASE PLATE.



RECOMMENDED MOUNTING HOLE PATTERN FOR 1.78 MAX THICK P.C. BOARD COMPONENT SIDE SHOWN



SUPERCEDED BY 1-794311-2
 SUPERCEDED BY 1-794311-1

1	10	1	1	1-794311-2
1	9	1	1	1-794311-1
1	3	1	1	794311-2
1	2	1	1	794311-1
MATERIAL	FINISH	MATERIAL	COLOR	PART NO

CONTACT		HOUSING		PART NO
0 PLC	± -	DIN R VESTAL	24JUN97	
1 PLC	± 0.2	CHK R SWING	24JUN97	
2 PLC	± 0.13	Tyco Electronics Corporation		1-794311-1
3 PLC	± -	Harrisburg, PA 17105-3608		
4 PLC	± -	Tyco Electronics Corporation		794311-2
ANGLES	± 0.30°	Harrisburg, PA 17105-3608		
MATERIAL SEE TABLE		FINISH SEE TABLE		794311-1
THIS DRAWING IS A CONTROLLED DOCUMENT.		APVD F. BEILES		
DIMENSIONS: mm		PRODUCT SPEC		108-1699
TOLERANCES UNLESS OTHERWISE SPECIFIED:		APPLICATION SPEC		
MATERIAL		SIZE		A1
FINISH		CASE CODE		
WEIGHT		DRAWING NO		00779
CUSTOMER DRAWING		SCALE		
SCALE 5:1		SHEET 1 OF 1		REV J
SHEET 1 OF 1		REV J		